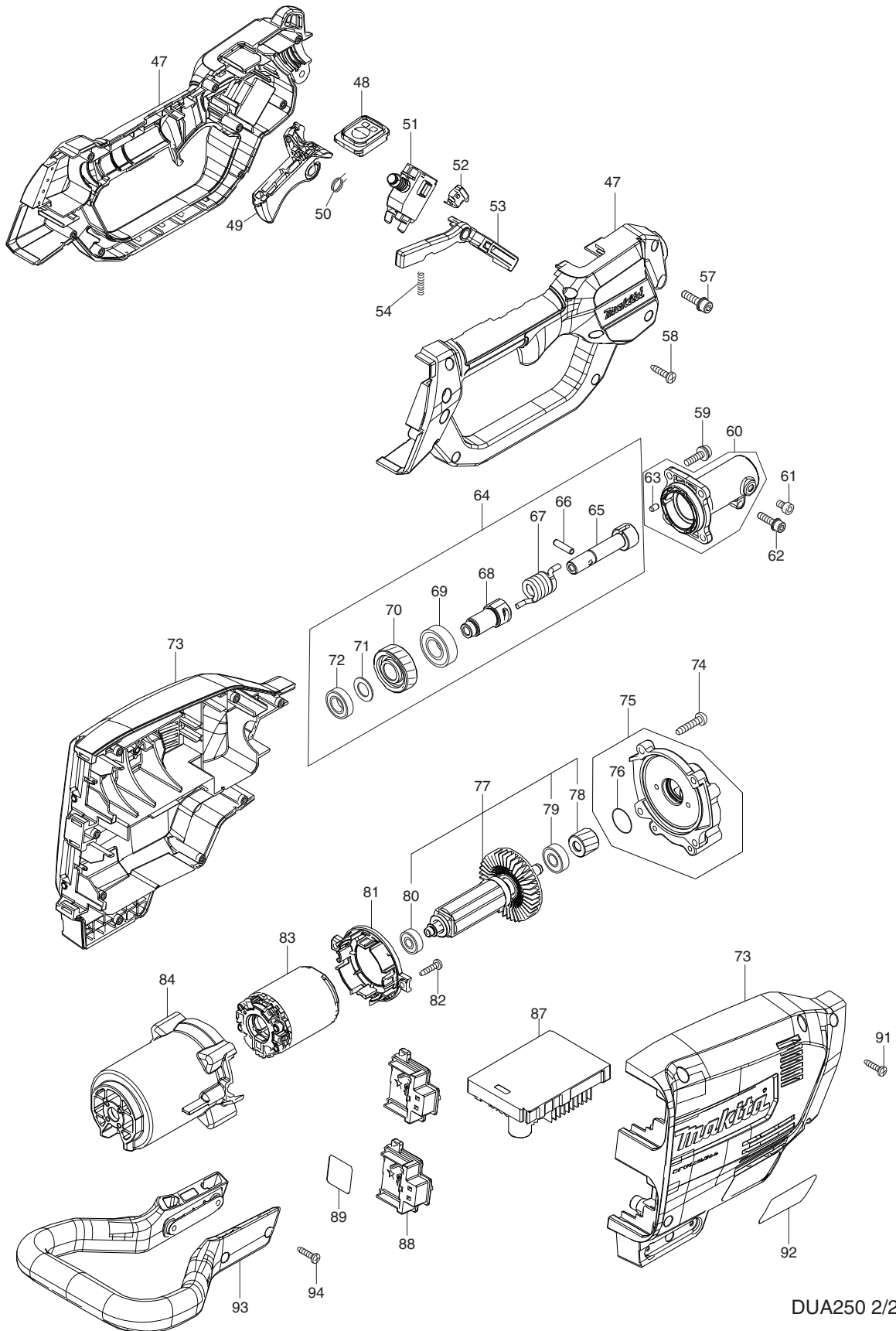


DUA250 1/2



DUA250 2/2

Item No.	Type	Sub	Part No.	Description	Qty	Unit
001			162494-8	FLANGE NUT COMPLETE	1	PC.
002			412638-3	NUT COVER	1	PC.
003			136373-6	SPROCKET COVER ASSY	1	PC.
		INC.		Item No. 1,2,4-6		
004			347707-0	GUIDE PLATE L	1	PC.
005			265954-0	TAPPING SCREW BIND PT3X8	1	PC.
006			422599-9	CHIP GUIDE	1	PC.
007			266905-6	H.L. SOCKET HEAD BOLT M5X12	1	PC.
008			347708-8	GUIDE PLATE R	1	PC.
009			911128-8	P.H.SCREW M4X16 WITH WR	2	PC.
010			183R95-7	GEAR CASE HOUSING SET	1	SET
		INC.	8026G0-9	CAUTION LABEL	1	PC.
011			252291-1	HEX. NUT M6	1	PC.
012			232626-2	CORNED DISK SPRING 14	2	PC.
013			347705-4	LOCK WASHER 12	1	PC.
014			226992-7	SPROCKET 6	1	PC.
015			347705-4	LOCK WASHER 12	1	PC.
016			141D34-9	SPINDLE COMPLETE A	1	PC.
017			422602-6	GROMET	1	PC.
018			227620-7	DRIVE GEAR	1	PC.
019			227634-6	STRAIGHT BEVEL GEAR 14	1	PC.
020			347706-2	TENSION SLIDE	1	PC.
021			327606-2	ADJUST SCREW	1	PC.
022			227496-2	STRAIGHT BEVEL GEAR 14	1	PC.
023			126832-8	TANK CAP ASSEMBLY	1	PC.
		INC.	213894-6	O-RING 25	1	PC.
024			136372-8	OIL TANK ASSEMBLY	1	PC.
		INC.		Item No. 23,39-41		
025			266326-2	TAPPING SCREW 4X18	3	PC.
026			136301-1	GEAR CASE ASSEMBLY	1	PC.
		INC.	213437-4	O RING 28	1	PC.
027			141D35-7	SPIRAL BEVEL GEAR 18 COMPLETE	1	PC.
028			211131-2	BALL BEARING 6001DDW	1	PC.
029			211148-5	BALL BEARING 6001ZZ	1	PC.
030			961052-5	RETAINING RING S-12	1	PC.
031			962106-1	RETAINING RING R-28	1	PC.
032			211491-2	BALL BEARING 609DDW	1	PC.
033			961005-4	RETAINING RING S-9	1	PC.
034			226884-0	WORM GEAR	1	PC.
035			961011-9	STOP RING E-4	1	PC.
036			422600-0	OIL TUBE 3-70	1	PC.
037			140U04-7	OIL PUMP COMPLETE	1	PC.
038			911128-8	P.H.SCREW M4X16 WITH WR	1	PC.
039			452666-6	NIPPLE	1	PC.
040			231975-4	SPRING	1	PC.
041			422601-8	OIL TUBE 3-14	1	PC.
043			266326-2	TAPPING SCREW 4X18	3	PC.
044			922243-3	HEX. SOCKET HEAD BOLT M5X25	1	PC.
046			922202-7	HEX. SOCKET HEAD BOLT M5X8	1	PC.
047			183P85-8	GRIP SET	1	SET
		INC.	931202-6	HEX. NUT M5	1	PC.
048			140V21-3	SWITCH CIRCUIT COMPLETE	1	PC.
		INC.	819S81-5	SWITCH LABEL	1	PC.
049			459758-2	SWITCH LEVER	1	PC.
050			233622-3	TORSION SPRING 12	1	PC.
051			651438-8	SWITCH C3JW-6B-PAN	1	PC.
052			632G61-0	SWITCH UNIT	1	PC.
053			459759-0	LOCK OFF LEVER	1	PC.

Item No.	Type	Sub	Part No.	Description	Qty	Unit
054			233101-1	COMPRESSION SPRING 4	1	PC.
055			140V08-5	PIPE 24 COMPLETE B US	1	PC.
		INC.	8016N4-7	CAUTION LABEL	1	PC.
057			922233-6	H.S.H.BOLT M5X20 WITH WR	1	PC.
058			266326-2	TAPPING SCREW 4X18	8	PC.
059			911233-1	PAN HEAD SCREW M5X20	4	PC.
060			136371-0	PIPE BRACKET ASSY	1	PC.
		INC.		Item No. 63		
061			922202-7	HEX. SOCKET HEAD BOLT M5X8	1	PC.
062			922233-6	H.S.H.BOLT M5X20 WITH WR	1	PC.
063			263002-9	RUBBER PIN 4	1	PC.
064			127641-8	DAMPER SHAFT ASSEMBLY	1	PC.
		INC.		Item No. 65-72		
065			327600-4	JOINT SLEEVE	1	PC.
066			256964-8	PIN 5	1	PC.
067			232625-4	TORSION SPRING 12	1	PC.
068			327601-2	SPINDLE HUB	1	PC.
069			211232-6	BALL BEARING 6002LLU	1	PC.
070			226997-7	HELICAL GEAR 33	1	PC.
071			253744-3	FLAT WASHER 12	1	PC.
072			211150-8	BALL BEARING 6901ZZ	1	PC.
073			183P84-0	HOUSING SET	1	SET
		INC.	263005-3	RUBBER PIN 6	10	PC.
074			266459-3	TAPPING SCREW 5X25	4	PC.
075			136231-6	GEAR BOX ASS'Y	1	PC.
		INC.		Item No. 76		
076			213961-7	O RING 22	1	PC.
077			510470-0	ROTOR ASS'Y	1	PC.
		INC.		Item No. 78-80		
078			226996-9	HELICAL GEAR 16	1	PC.
079			210005-4	BALL BEARING 608DDW	1	PC.
080			210062-2	BALL BEARING 607ZZ	1	PC.
081			459764-7	BAFFLE PLATE	1	PC.
082			266326-2	TAPPING SCREW 4X18	2	PC.
083			629A12-6	STATOR	1	PC.
084			459763-9	MOTOR HOUSING	1	PC.
087			620C84-6	CONTROLLER	1	PC.
088			644809-6	TERMINAL	2	PC.
089			811E36-2	DUA250 SERIAL NO. LABEL	1	PC.
091			266326-2	TAPPING SCREW 4X18	8	PC.
092			811E35-4	DUA250 NAME PLATE	1	PC.
093			412645-6	GUARD	1	PC.
094			266326-2	TAPPING SCREW 4X18	4	PC.
095			327608-8	SHAFT	1	PC.
096			312A03-1	SLEEVE 28	2	PC.
115			183R91-5	GEAR CASE COVER SET	1	SET

ACCESSORIES

- Visit www.makita.ca for more accessories information -

A01			161846-0	0" SPROCKET GUIDE BAR 3/8 43G	1	PC.
A02			458501-6	GUIDE BAR CASE	1	PC.
A03			199075-5	3/8" CHAIN 43G 10"	1	PC.
A04			782023-7	WRENCH 13-16	1	PC.
A06			182229-1	CHAIN OIL 100CC	1	PC.
A10			191K37-5	SHOULDER BAND ASSEMBLY	1	PC.
A11			195246-2	SAFETY GOGGLE	1	PC.
A12			450128-8	BATTERY COVER	1	PC.
A13			----	BATTERY CHARGER	1	PC.
A14			----	18V LI-ION BATTERY	2	PC.